

TROUBLESHOOTING

PROBLEM	TIP/SOLUTION
Vehicle does not recognize the interface	It is recommended to turn "ON" the ignition key to the "RUN" position for approximately 2 seconds and "OFF" twice before beginning the first test of the newly installed interface
LED does not turn on	It is recommended to check "ALL" wiring connections and also ensure that the power wires are getting their proper +12 volts
Low volume with aftermarket radio	Re-install factory radio, turn on and adjust to 1/2 volume

LIMITED WARRANTY

Scosche Industries Inc. warrants this product to be free from defects in material and workmanship for a period of 90 days from purchase. This Scosche product is sold with the understanding that the purchaser has independently determined the suitability of this product. This warranty is offered to the original purchaser of the product only. This warranty does not cover the product if physically damaged, subject to negligence or misuse, abuse, alteration, accident, or an act of GOD. This warranty does not apply to product which has water or physically damaged by accident or which has been misused, disassembled or altered.

The original dated sales slip or proof of purchase will establish warranty eligibility. If the product should prove defective within the warranty period, return the product with proof of purchase to Scosche Industries Inc. Scosche, at its option, will replace or repair the product free of charge and return the product postage paid.

In no event shall Scosche Industries, Inc. be responsible for claims beyond the replacement value of the defective product, or in any way be liable or responsible for consequential or incidental damages. No express warranties and no implied warranties, whether for fitness or any particular use or otherwise, except as set forth above (which is made expressly in lieu of all other warranties) shall apply to products sold by Scosche. Scosche Industries cannot be held responsible for discrepancies/inconsistencies that may occur due to automotive manufacturing changes or option.

This device complies with FCC Rules Part 15. Operation is subject to the following two conditions:

1) This device may not cause interference, and 2) this device must accept any interference that may be received, including interference that may cause undesired operation. The manufacturer is not responsible for any radio or TV interference caused by unauthorized modification to this equipment. Such modification could void the user's authority to operate the equipment.

SCOSCHE®

TA07SR

2003-UP PREMIUM SOUND INTERFACE FOR SELECT LEXUS/TOYOTA VEHICLES

The TA07SR digital interface will allow you to connect your aftermarket radio to a Toyota JBL/Premium Sound audio system. The TA07SR is designed to be used with any aftermarket radio equipped with standard RCA output connections. This wiring interface does not retain factory installed Satellite radio. To get the most current application guide information, please contact Scosche Tech Support: 1-800-621-3695 Ext.3.

APPLICATION GUIDE

MODEL	YEAR	NOTES
-------	------	-------

SEE IMPORTANT APPLICATION INFORMATION BELOW

LEXUS

GS 350 RWD	2007	LEXUS PREMIUM SOUND SYSTEM
GS 350 AWD 2007	LEXUS	PREMIUM SOUND SYSTEM
RX 350 RWD 2007	LEXUS	PREMIUM SOUND SYSTEM

TOYOTA

AVALON	2007	JBL SYNTHESIS SYSTEM
4RUNNER	2003-07	JBL SYNTHESIS SYSTEM
CAMRY	2007	JBL SYNTHESIS SYSTEM
PRIUS	2004-05	JBL
RAV-4	2004-06	JBL
SEQUOIA	2006-07	JBL
SIENNA	2004-07	JBL SYNTHESIS SYSTEM
SOLARA	2006-07	JBL
TACOMA	2004-06	JBL
TUNDRA	2004-07	JBL

APPLICATION NOTES:

For use with JBL /JBL SYNTHESIS AND
SOME LEXUS PREMIUM SOUND systems ONLY!

NOT FOR USE ON
Lexus Mark Levinson Sound Systems!

If you have any further questions,
call our toll free technical help line at:

1-800-621-3695x3

© 2007 SCOSCHE INDUSTRIES, INC.

SI 11/07 - TA07SR (3000472)

ATTENTION! INSTALLER NOTE:

Before removing FACTORY Toyota stereo, turn ON and adjust to 1/2 VOLUME level to prevent low volume output AFTER installation.

PRELIMINARY

BEFORE BEGINNING: READ THIS ENTIRE INSTRUCTION MANUAL FIRST.

****CAUTION**:** Disconnect Negative Battery Terminal to avoid short circuits. Read ALL manufacturers warnings regarding air bags and electrical systems in your vehicle. We recommend the use of a volt/ohm meter or computer-safe LED probe when checking wiring. A testlight or grounded light probe if used improperly can cause damage to the vehicle's computer and/or diagnostic system.

This interface is designed to work with an aftermarket radio's equipped with "front" and "rear" pre-amp (RCA) outputs. If your radio only has one set of outputs, then you must use "Y" splitters. As a result there will be NO fade control.

FADER CONTROL NOTE!

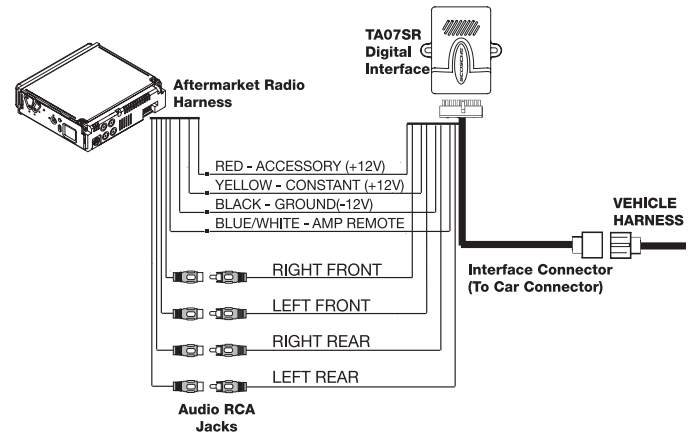
Keep the stereo's volume at HALF level when adjusting the front/rear fader: At lower volume levels, JBL Synthesis Systems may not completely fade out 100% of the audio on front or rear [depending on your desired adjustment] due to factory DSP processing.

INSTALLATION

1. Disconnect the Negative battery cable from the battery to avoid any short circuits.
2. Remove and unplug factory stereo. If needed, call Scosche Tech Support (800) 621-3695 x3 for stereo removal steps specific to your vehicle.
3. Match and connect the appropriate wires from the TA07SR harness to the appropriate wires of the plug provided with your aftermarket stereo. For example, connect the +12V "yellow" constant lead from your stereo to the "yellow" wire on the TA07SR harness. The color codes are designed to match MOST brands of aftermarket car stereo. For STD JBL and JBL SYNTHESIS systems, USE RCA line outputs from aftermarket stereo for speaker connections. For non-JBL/Premium Sound Systems please contact Scosche Tech Support for proper installation applications for your specific vehicle.
4. Tape all unused wires to prevent wires from short circuiting.
5. Reconnect the negative battery cable
6. Connect the 24-Pin harness to the TA07SR module.
7. Connect the 20-Pin TA07SR connector to the factory harness.
8. As you install your new stereo, (place the TA07SR module in the rear of the dash cavity behind the stereo. (Optional: Cable ties or double sided tape can be used to secure the module, but are not included).

DIAGRAM

FIGURE 1



WIRE COLOR CODES

White RCA	=	Left front channel input
Green RCA	=	Left rear channel input
Violet RCA	=	Right rear channel input
Gray RCA	=	Right front channel input
Black	=	Chassis ground (-12V)
Yellow	=	+12 volt battery constant
Red	=	+12 volt ignition switched
Blue/White	=	+12V remote output (amp remote, radio ON signal)

The color codes used on this car stereo connector conform to the standards set by the E.I.A. (Electronics Industry Association). They may differ from the wiring codes found on your specific car stereo. Always refer to your stereo owners manual for wiring details about your particular car stereo.